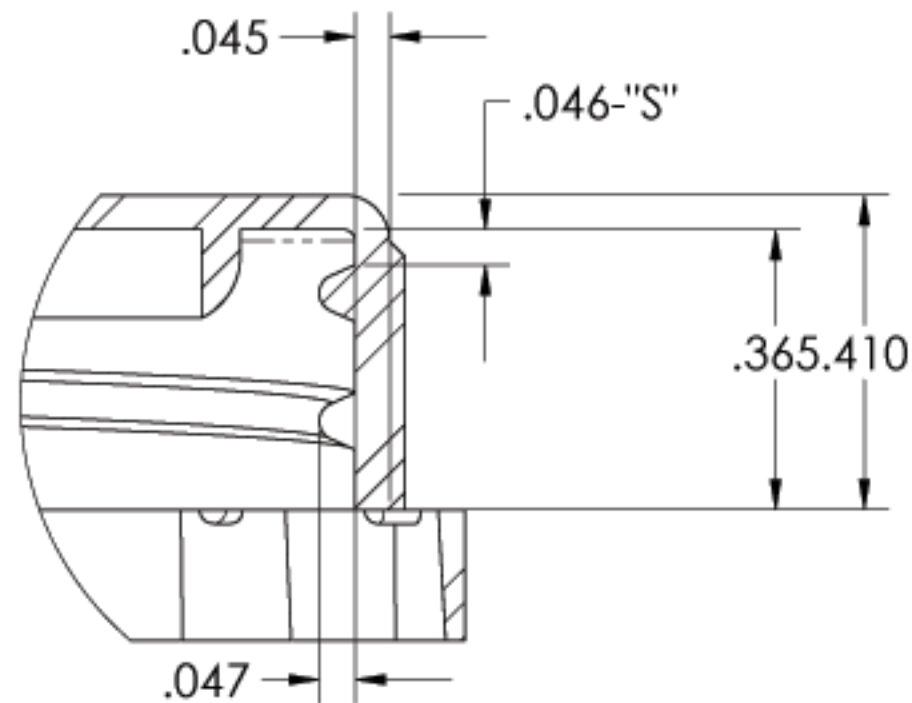


SECTION B-B



DETAIL D
SCALE 4 : 1

UNLESS OTHERWISE SPECIFIED:		NAME	DATE	TITLE: 38-400 w/Tamper Ring
DIMENSIONS ARE IN INCHES		DRAWN	B. MASON	
TOLERANCES:		CHECKED		ADVANCE PLASTIC CORP CHICAGO, IL 60639
FRACTIONAL ±		ENG APPR.		
ANGULAR: MACH ± BEND ±		MFG APPR.		
TWO PLACE DECIMAL ±		Q.A.		SIZE DWG. NO. REV
THREE PLACE DECIMAL ±		COMMENTS:		B B
INTERPRET GEOMETRIC TOLERANCING PER:				SCALE: 1:1 WEIGHT: 3.40 g SHEET 1 OF 1
MATERIAL				
PP Copolymer				
FINISH				
Matte				
DO NOT SCALE DRAWING				

PROPRIETARY AND CONFIDENTIAL
THE INFORMATION CONTAINED IN THIS DRAWING IS THE SOLE PROPERTY OF ADVANCE PLASTIC CORP. ANY REPRODUCTION IN PART OR AS A WHOLE WITHOUT THE WRITTEN PERMISSION OF ADVANCE PLASTIC CORP. IS PROHIBITED.